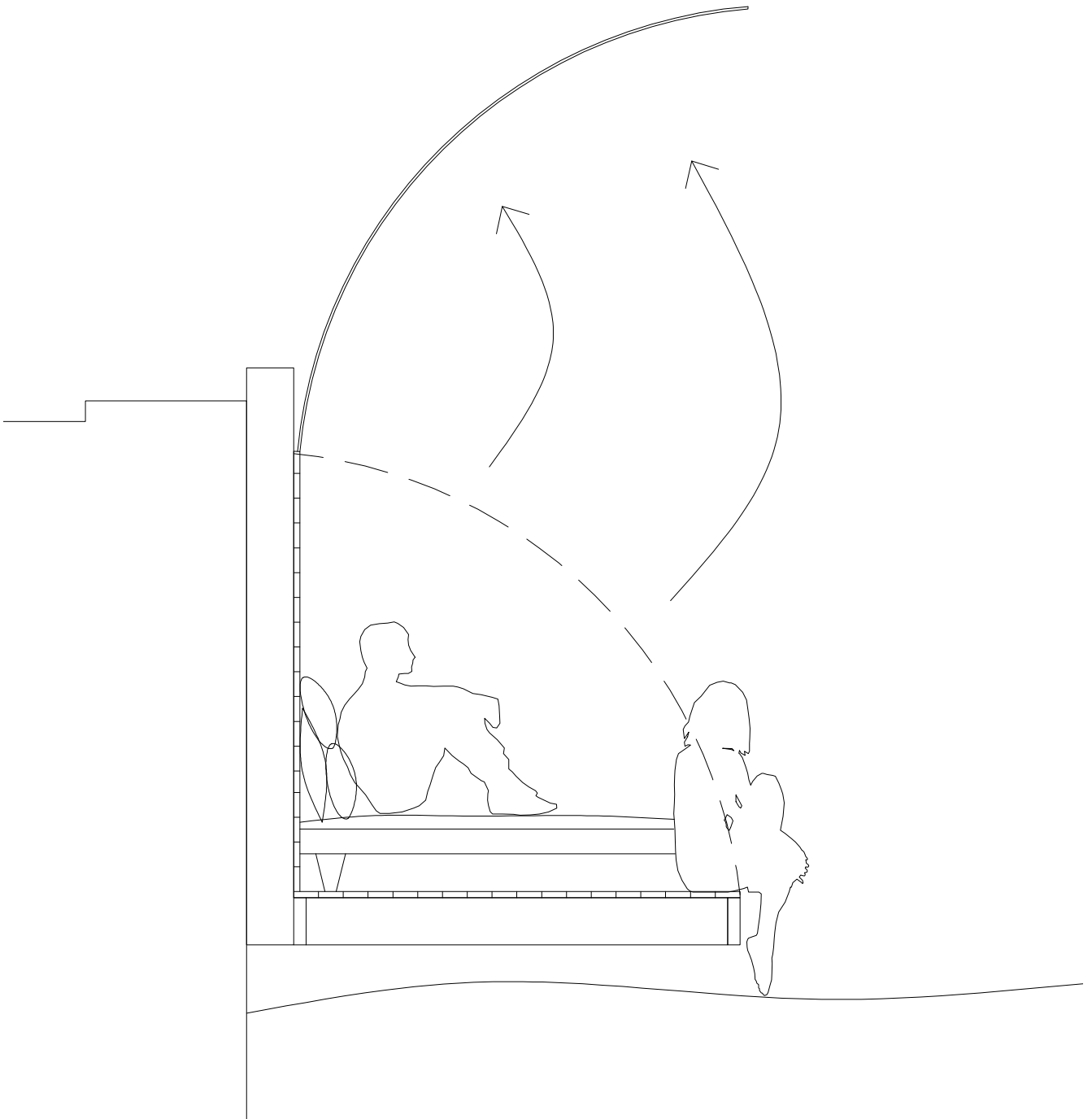
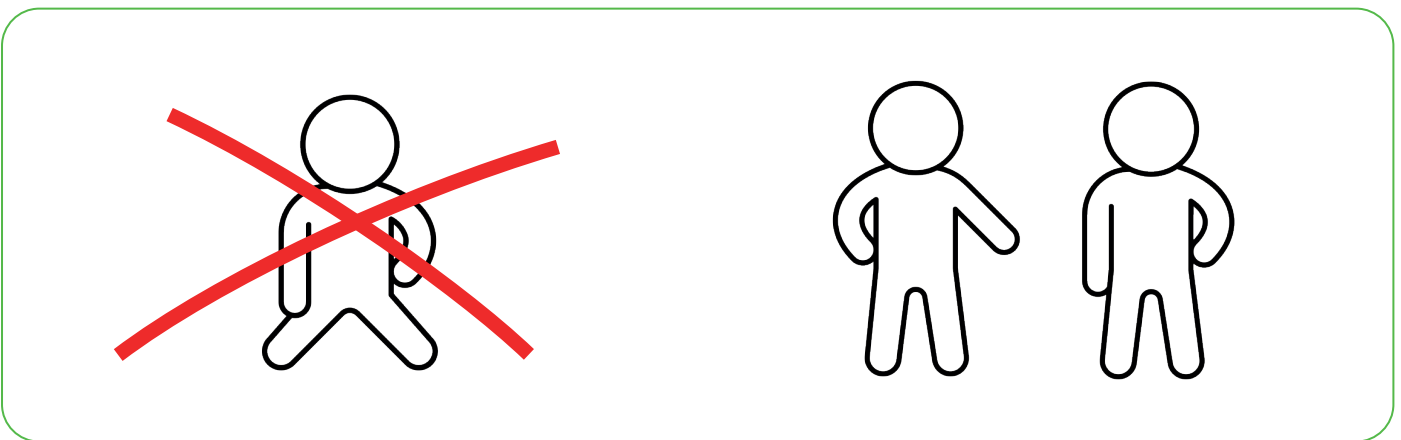
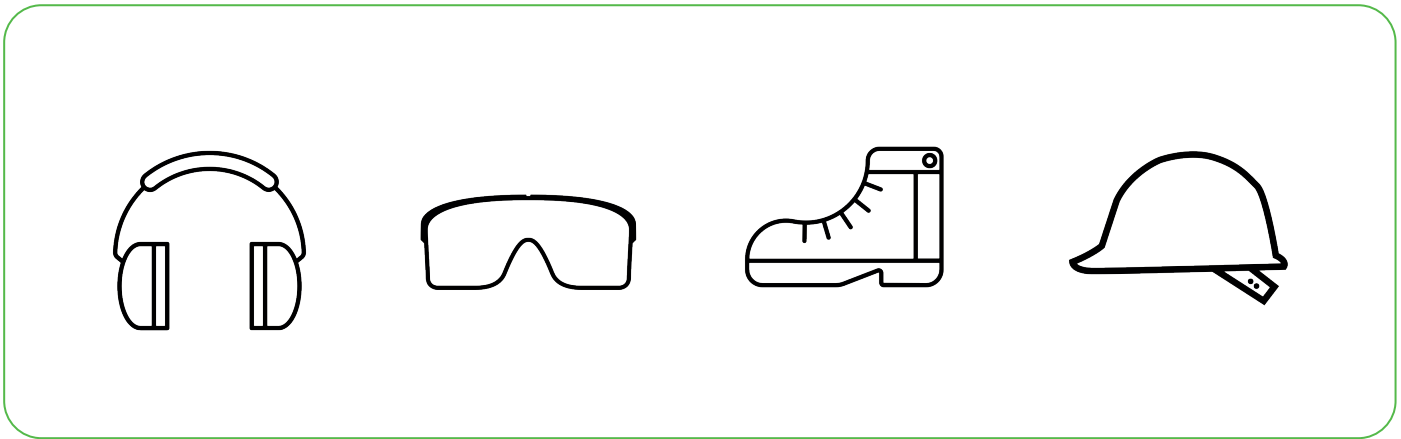
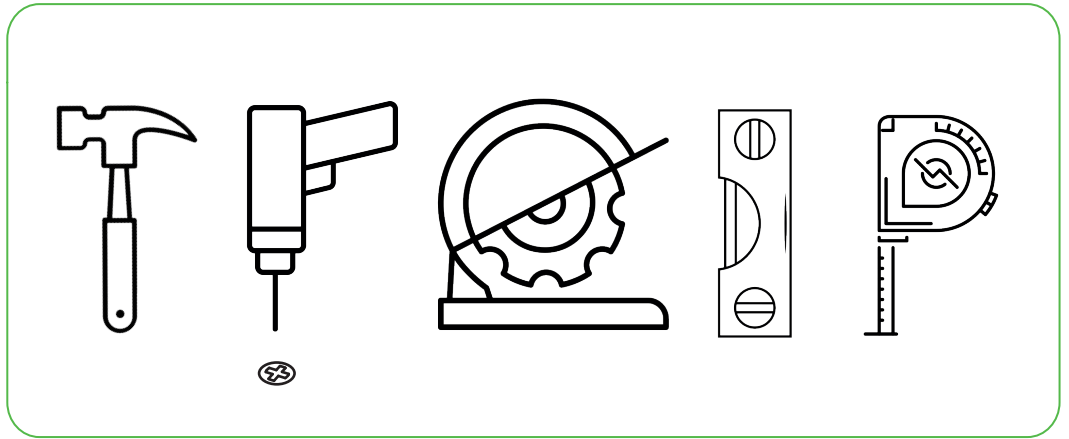
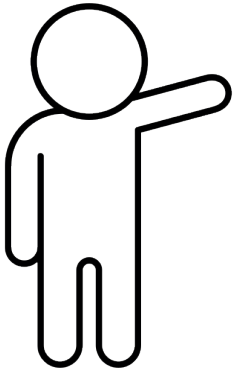


THORPE

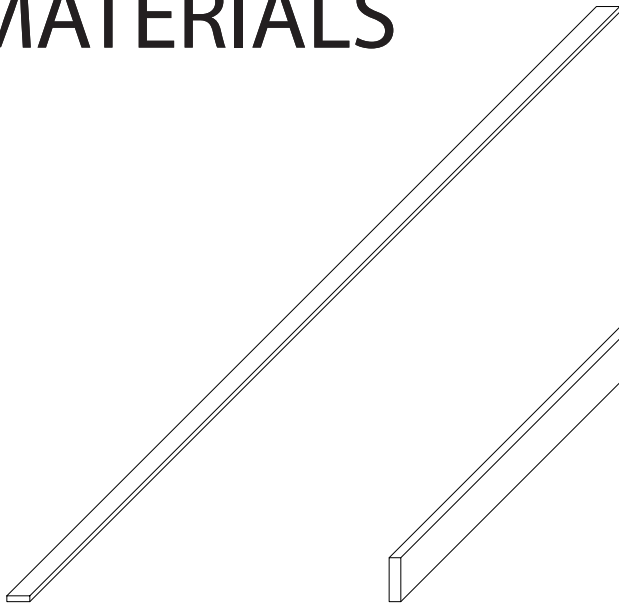
- an overnight residency to re-engage with our precious oceans.



GUIDELINES

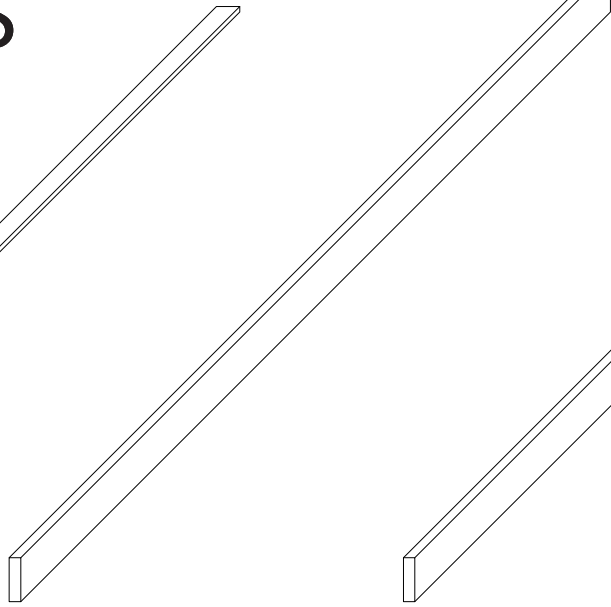


MATERIALS



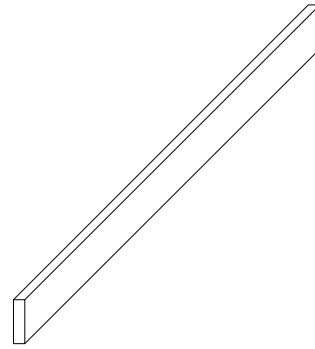
100x25x4200mm

TOTAL = 36



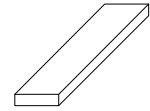
190x50x4200mm

TOTAL = 4



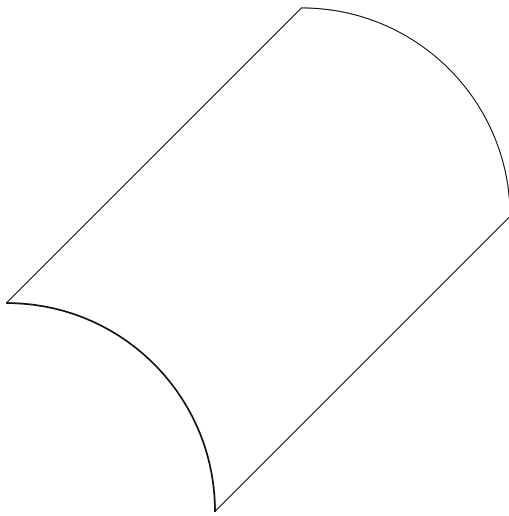
190x50x1800mm

TOTAL = 18



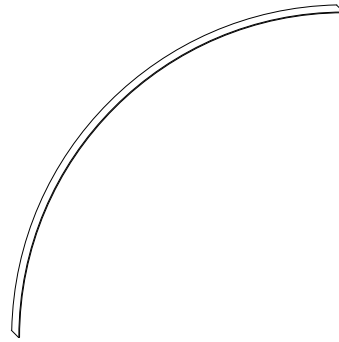
190x50x550mm

TOTAL = 14



2900x3600x5mm

TOTAL = 1

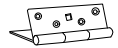


2900x40x5mm

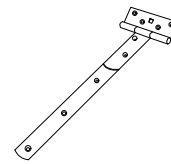
TOTAL = 4



TOTAL = 7



TOTAL = 4



TOTAL = 4



TOTAL = 30m



4.5x75mm

3 TOTAL = 1200

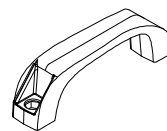


4.5x50mm

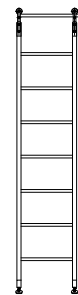
TOTAL = 200



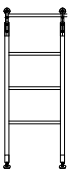
TOTAL = 4



TOTAL = 1



TOTAL = 1

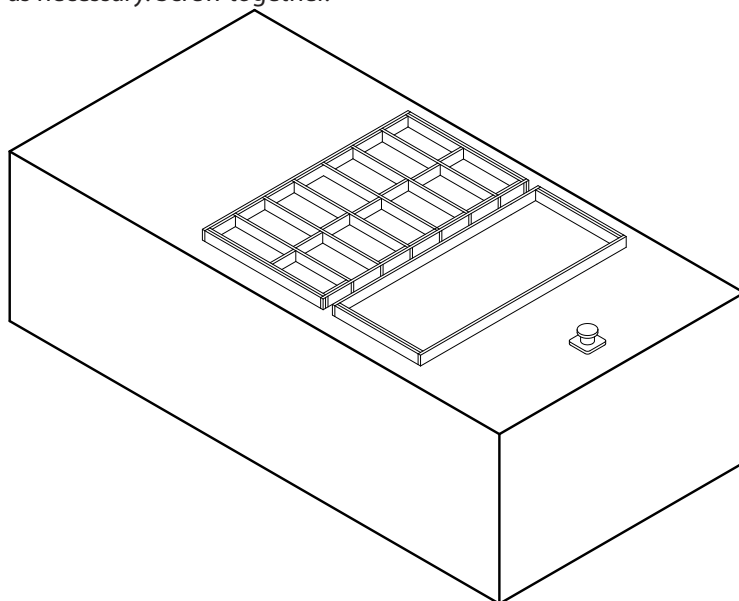


TOTAL = 1

INSTRUCTIONS

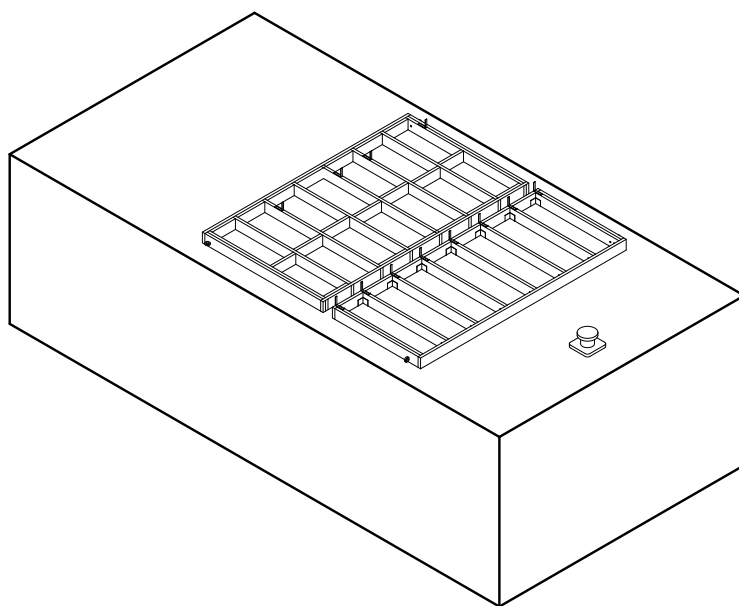
1

Lay wall and platform framing flat behind dock-tie. 190x50x4200mm boards running horizontally. The 190x150x1800mm framing members will be spaced 600mm on center. Provide blocking between framing members as necessary. Screw together.



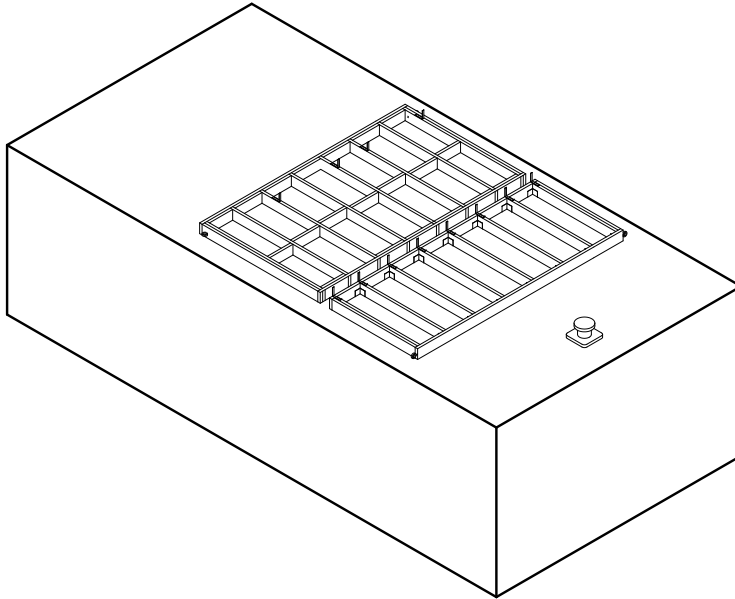
2

Lay out all hardware for wall and flooring panels. Joist hanger brackets to be laid out 600mm on center, in line with wall framing from step one.



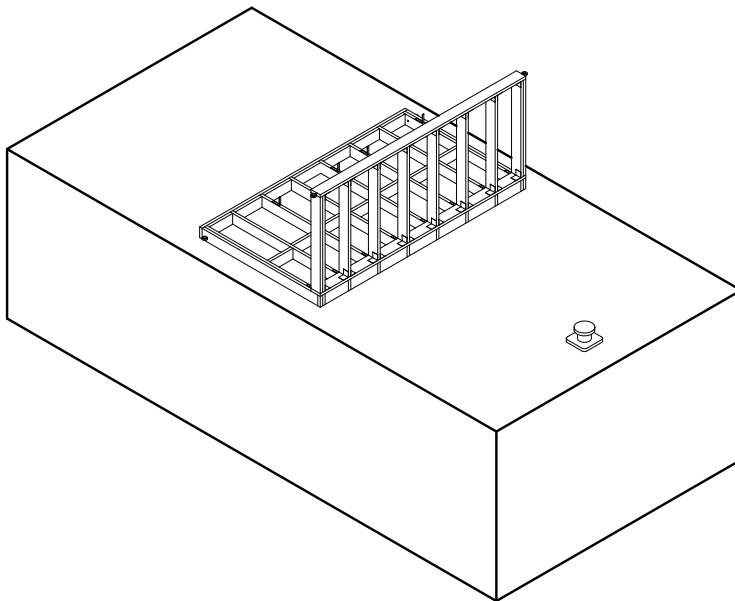
3

Screw hardware in place.



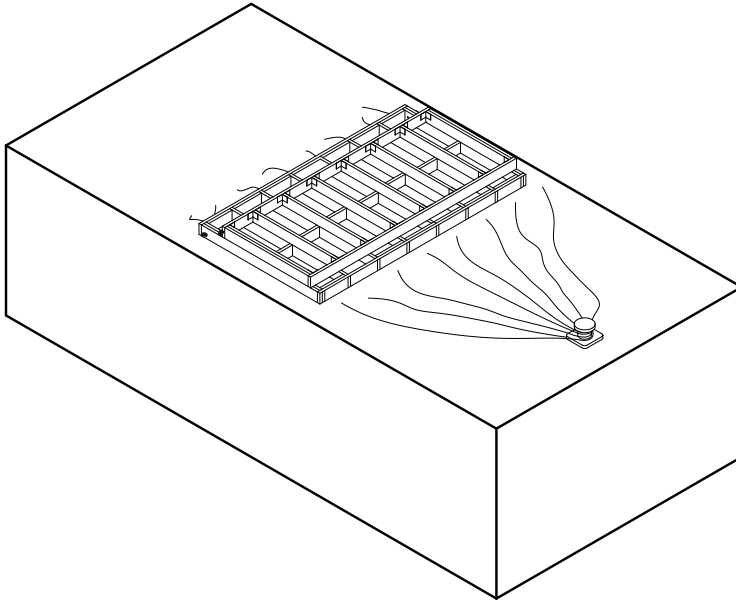
4

Stand flooring platform on top of wall platform perpendicular. Fasten hinge screws to connect both modules.



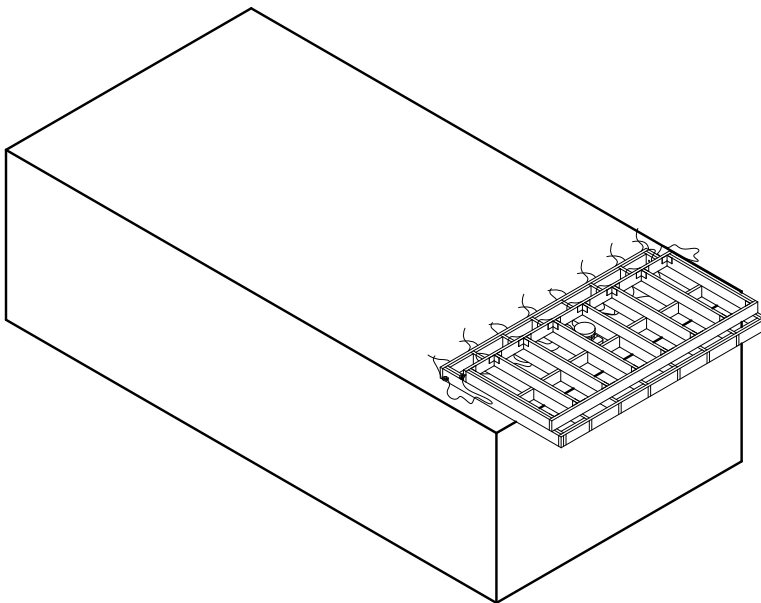
5

Lay out climbing ropes and carabiner connections. Rope should be allocated for 8 long lengths and 8 short lengths. The short lengths to be placed near the top of the wall, and the long lengths to wrap the docktie securely.



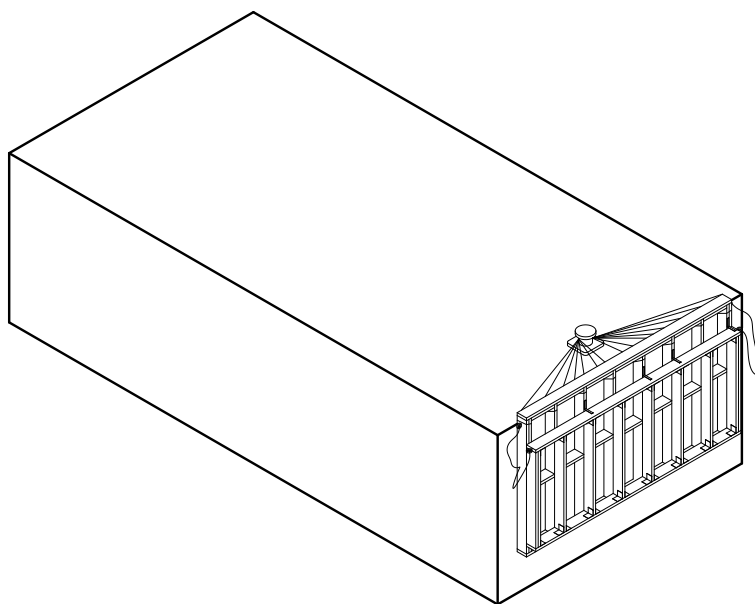
6

Lift the connected wall and flooring toward the edge straddling the docktie if needed. Fasten all connections at desired length.



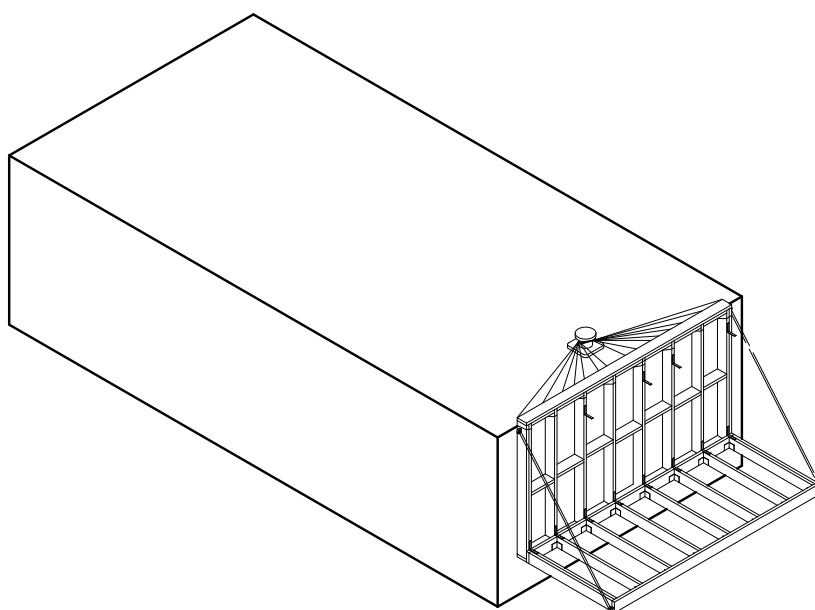
7

After the structure is securely anchored around the dock tie using all eight points of connection, carefully push it over the edge to suspend.



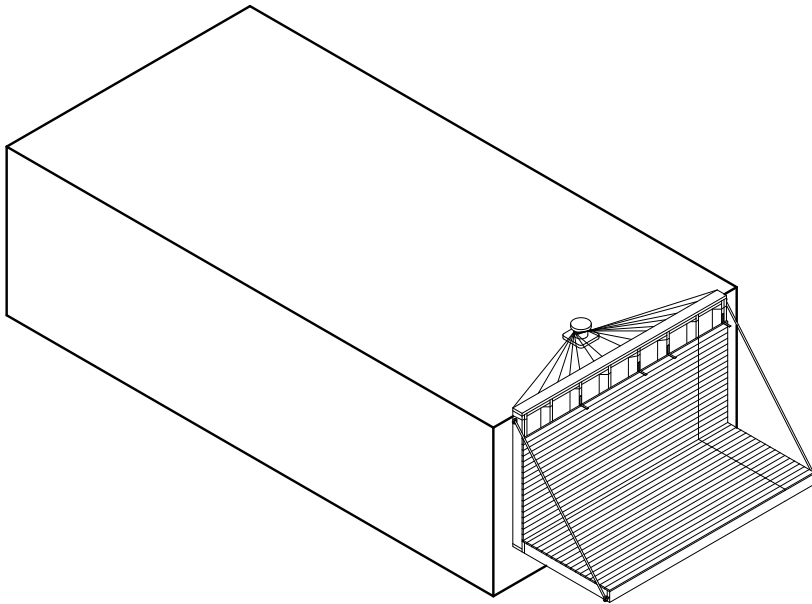
8

Loosen side securing ties and the floor joists will fold out into the platform.



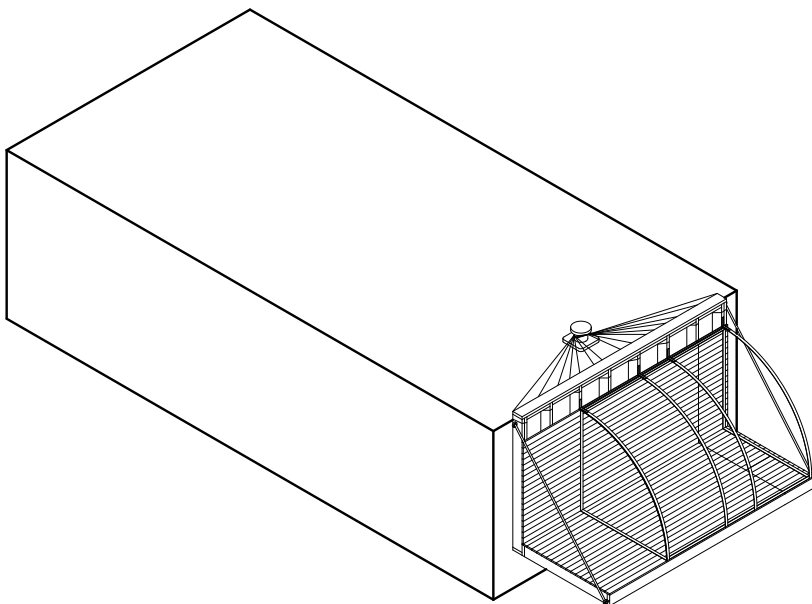
9

Screw 190x25x4200mm decking boards to the wall and floor.



10

Place structural bent aluminum members in alignment with joists and bend plexiglass over the arc. Put plexiglass endcaps on each side and cut away doorway for entry. Use final hinges to complete the door and the shelter is complete.



11 DISASSEMBLY

IN ORDER TO DE-CONSTRUCT AND DISASSEMBLE THORPE, THE INSTRUCTION MANUAL SHOULD BE FOLLOWED IN REVERSE ORDER, THAT IS, STEPS FROM 10 THROUGH TO 1.

THE DWELLING HAS BEEN DESIGNED TO BE DISASSEMBLED AND RE-CONSTRUCTED IN A NEW LOCATION PROVIDED THAT THE STEPS ARE FOLLOWED CORRECTLY AND ALL PRECAUTIONARY MEASURES ARE TAKEN FOR BOTH THE SAFETY OF THE WORKERS AND THE LONGEVITY OF THE MATERIAL.

ALL MATERIAL IS ABLE TO BE RECYCLED AND SHOULD BE TAKEN TO THE LOCAL RECYCLING STATION IF BY CHANCE THE PROJECT MATERIAL IS NO LONGER REQUIRED.

COST

ITEM	DESCRIPTION	QUANTITY	COST/UNIT	TOTAL COST
STRUCTURAL WOOD	190x50x4200mm	4	300.00kr	1200.00kr
STRUCTURAL WOOD	190x50x1800mm	18	100.00kr	1800.00kr
STRUCTURAL WOOD	190x50x550mm	14	30.00kr	420.00kr
HARDWOOD DECKING1	100x25x4200mm	36	100.00kr	3600.00kr
PLEXIGLASS	2900x3600x5mm	1	1800.00kr	1800.00kr
ALUMINIUM SUPPORT	2900x40x5mm	4	100.00kr	400.00kr
LADDER (1)	Metal	1	750.00kr	750.00kr
LADDER (2)	Metal	1	400.00kr	400.00kr
ROPE	40mm diameter climbing rope	20m	800.00kr	800.00kr
CARIBINER	Rock climbing twist-lock	7	75.00kr	525.00kr
DOOR HARDWARE	Hinges, Lock, Handle	1 set	300.00kr	300.00kr
HINGE BRACKET	200x30x3mm	4	100.00kr	400.00kr
SCREW HOOK	Standard	4	40.00kr	160.00kr
SCREWS (1)	4.5x75mm	1000	0.70kr	700.00kr
SCREWS (2)	4.5x50mm	200	0.70kr	140.00kr
TOTAL COST				13.395kr