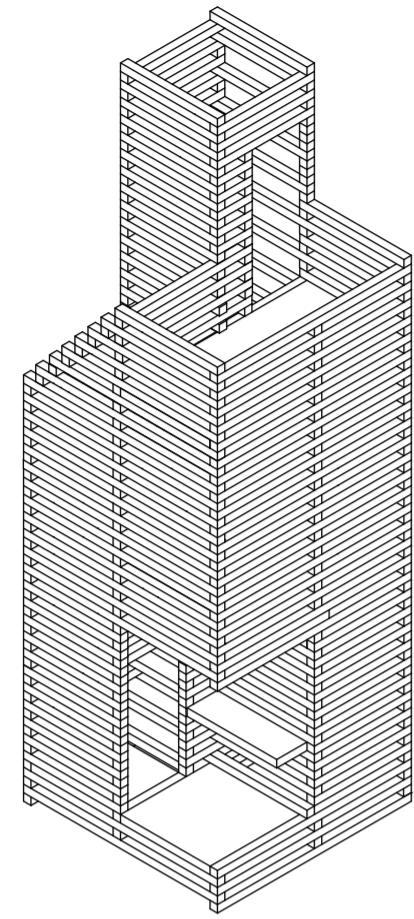


TREE - HOUSE



MATERIALS -- 4X4 LENGTHS

A 2.7m		X 60
B 1.8m		X 4
C 1.7m		X 7
D 1.4m		X 69
E 1.3m		X 152
F 1.2m		X 43
G 0.5m		X 500
H 0.4m		X 5
I 0.1m		X 93

TOOLS

Drill / drill press
Saw / chop saw
Angle grinder
Hammer
Screw driver

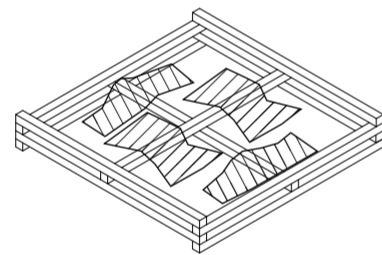
SHOPPING LIST

1830' 4"x4" douglas fir @ \$13/10'	\$ 2,340
10 3/4" 12' steel threads @ \$100/12'	\$ 1,000
20 stainless steel washers @ \$4	\$ 80
20 stainless steel nuts @ \$5	\$ 100
50 lag screws @ \$2.50	\$ 125
10 heavy bags of sand @ \$5	\$ 50

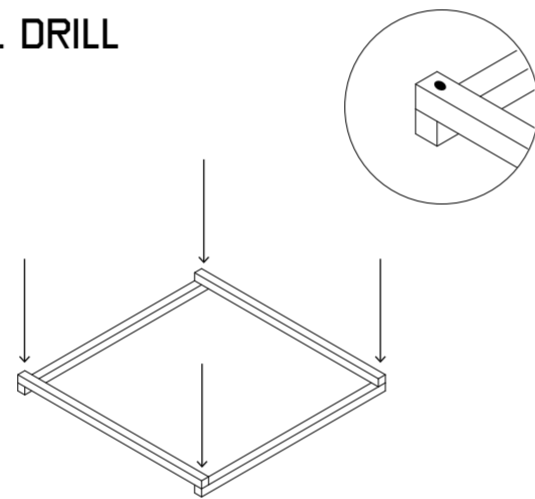
(Approximate) Total cost: \$ 3,695
€ 3,345

1. STACK & FILL WITH SAND

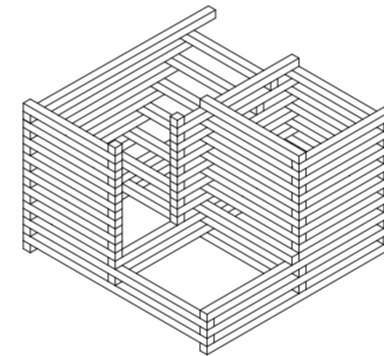
*alternatively bolt to the ground depending on ground conditions.



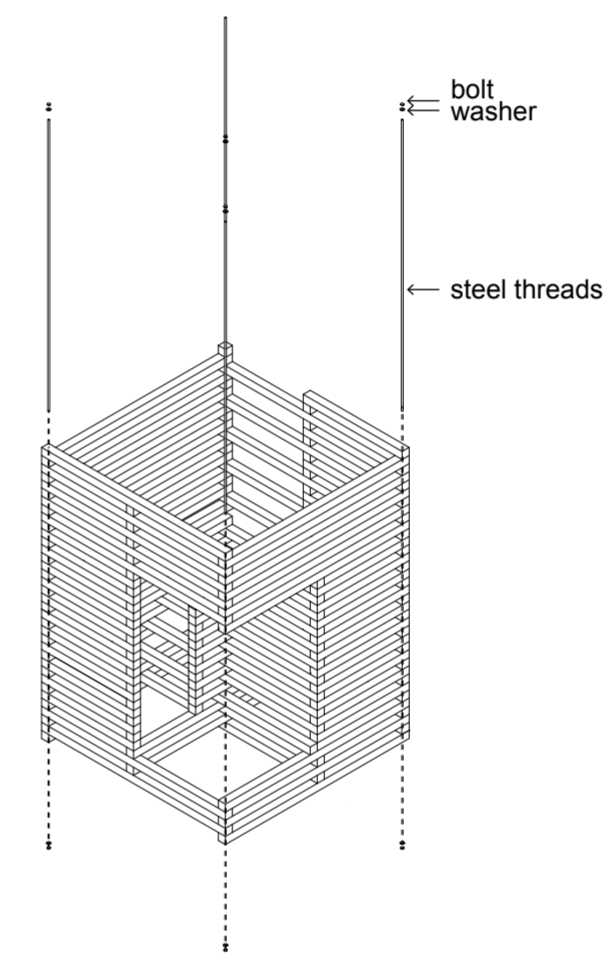
2. DRILL



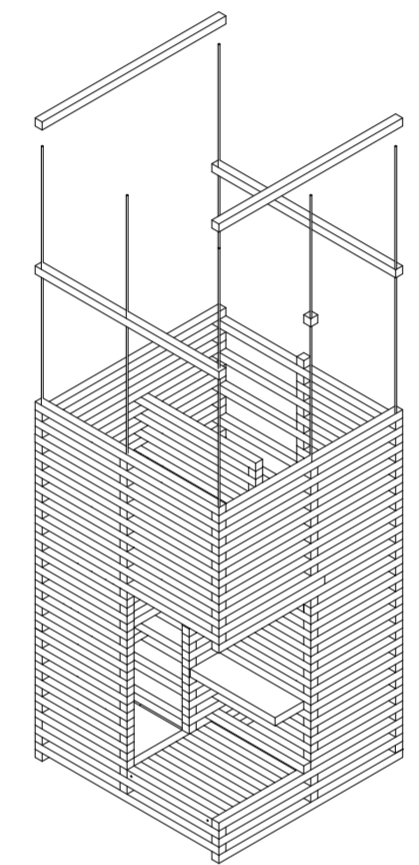
3. STACK



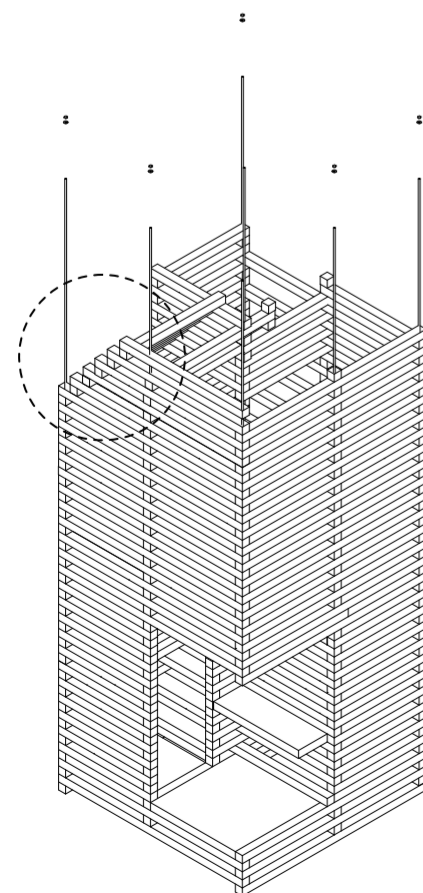
4. THREAD & SECURE



5. THREAD AGAIN

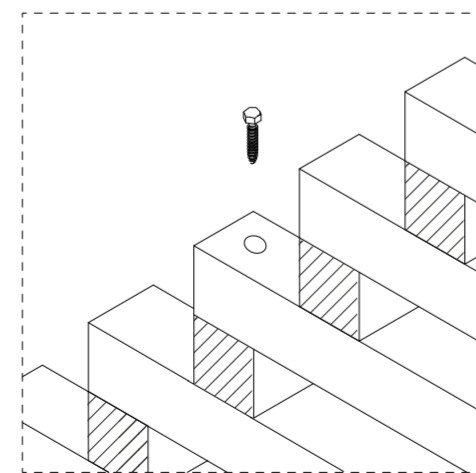


6. SECURE

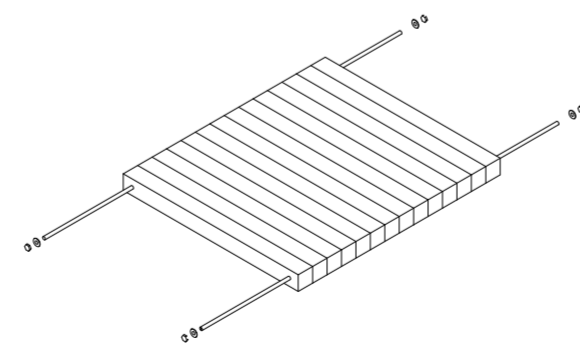


7. SCREW

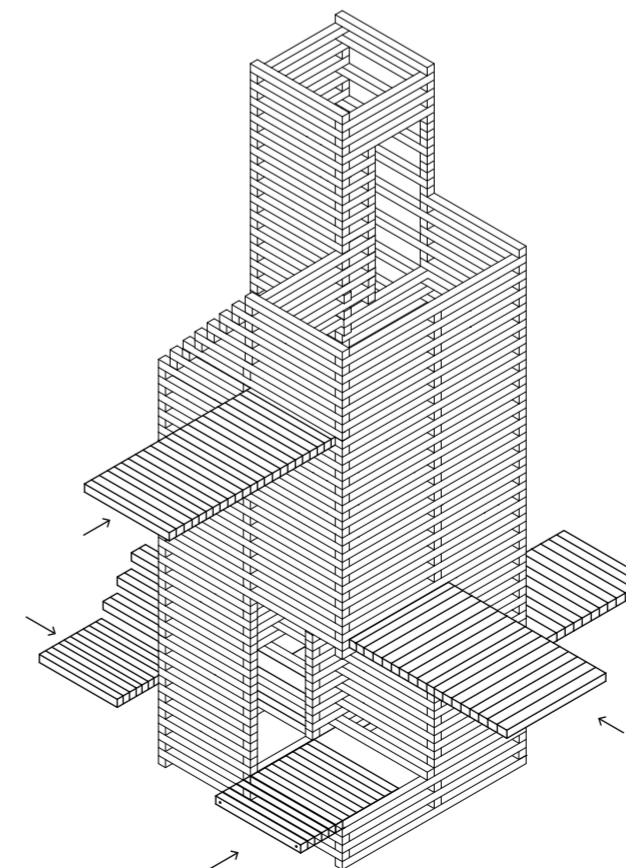
*for the few irregular pieces



8. THREAD PLATFORMS



9. INSERT PLATFORMS



10. TA-DA!

