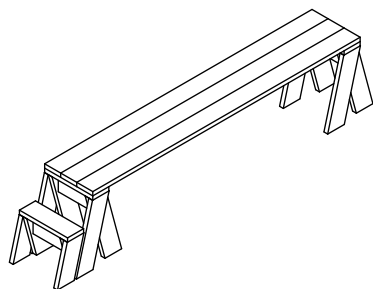
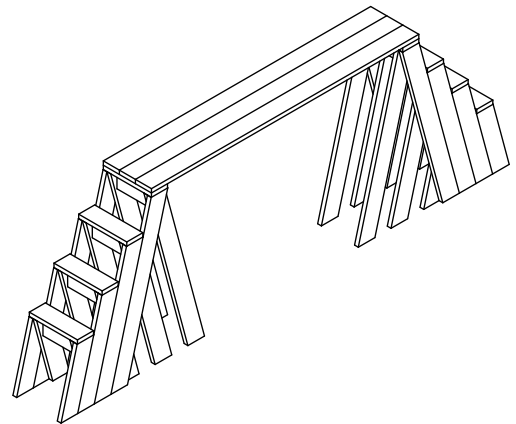
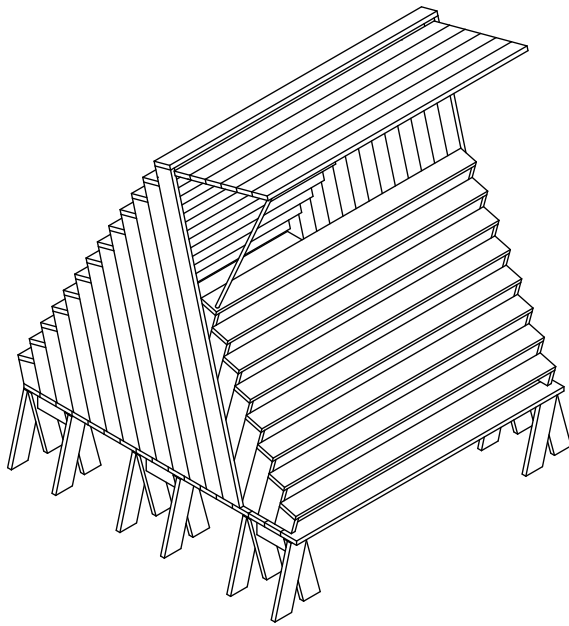


RETURNING TO NATURE

01 WALKING PATH

02 BRIDGE

03 DWELLING



RETURNING TO NATURE

01 WALKING PATH

02 BRIDGE

03 DWELLING

THE STRUCTURE CAN BE COMBINED IN A VARIETY OF WAYS AND IT IS UP TO YOU TO ORGANIZE IT IN THE BEST MANNER THAT SUITS YOUR LOCAL NATURE.

TO CONSTRUCT YOUR OWN RITUAL OF "RETURNING TO NATURE" STRUCTURE YOU NEED THIS:

SCREWDRIVER

WOODSCREWS

HINGE

SAW (PREFERABLY MECHANIC)

STANDARD 28X120X3000 WOOD PLANKS (CHOOSE MATERIAL OF LOCAL ORIGIN)

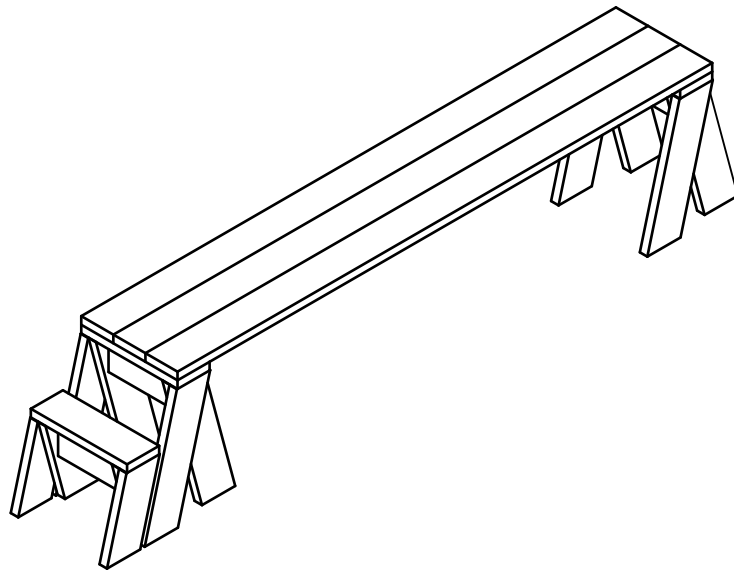
TAPE MEASURE AND PROTRACTOR

A FRIEND

THE COST FOR A REGULAR SIZE RITUAL PATH IS APPROXIMATELY 700-1000\$

(PLEASE NOTE THE CHANGE OF SCALE ON DRAWINGS).

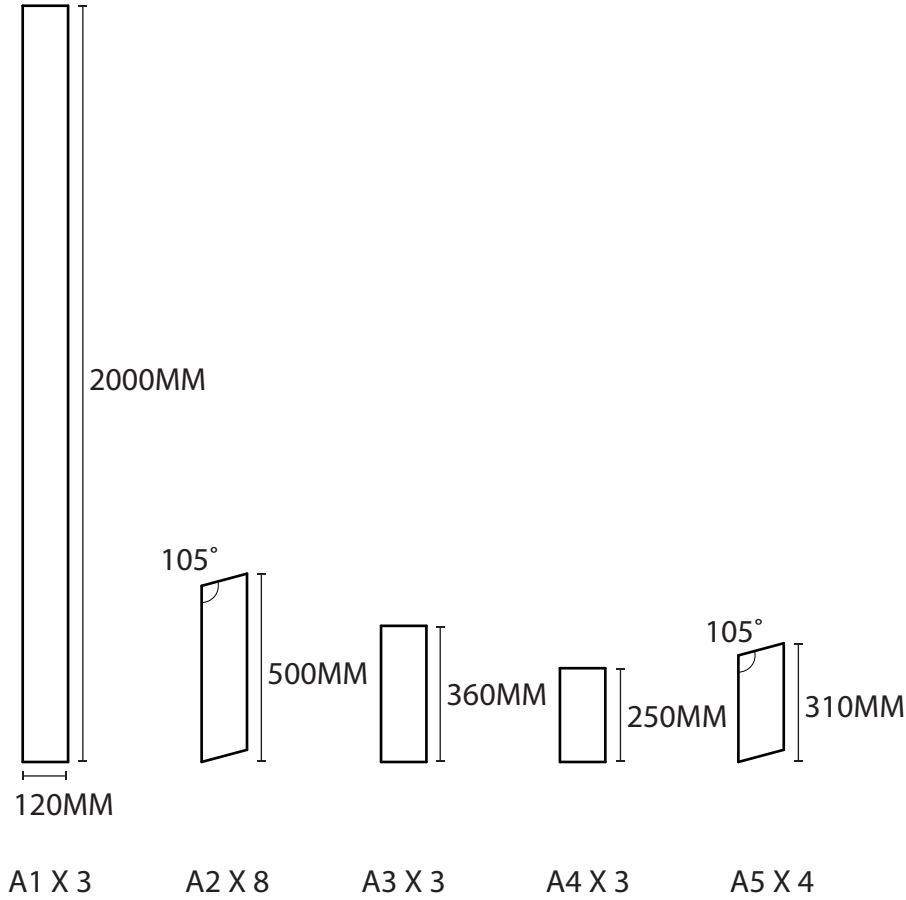
RETURNING TO NATURE
01 WALKING PATH



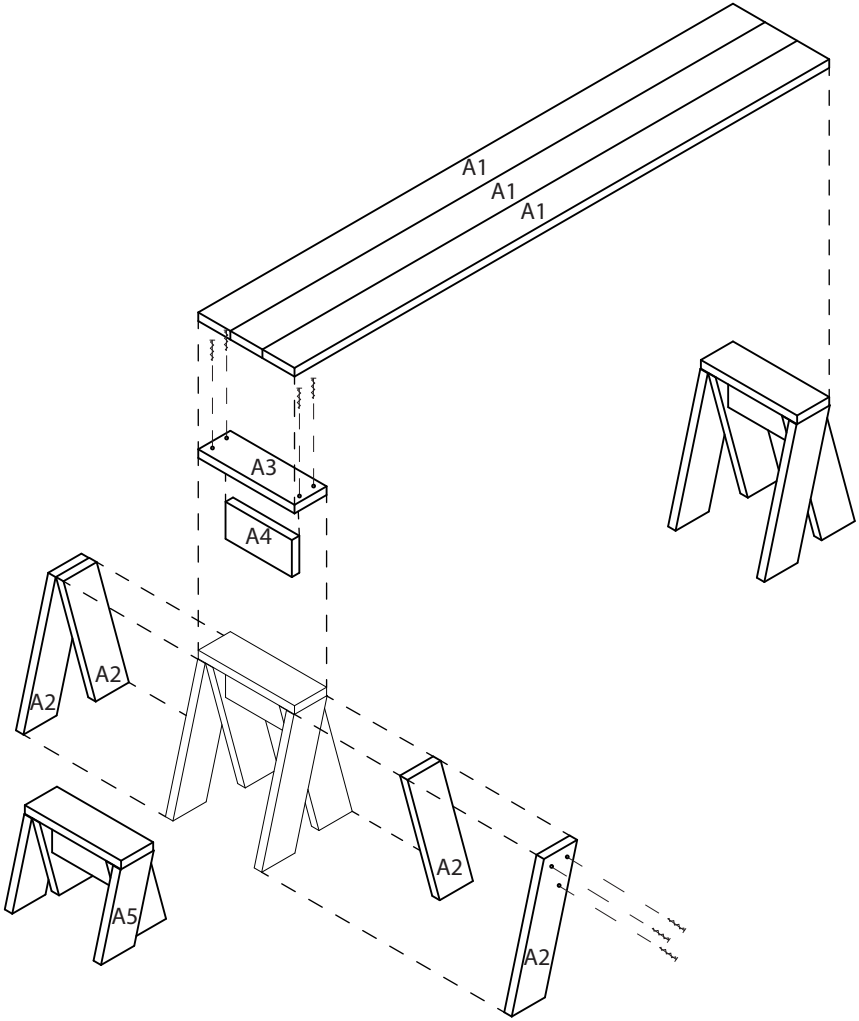
RETURNING TO NATURE

01 WALKING PATH

TIMBER DIMENSIONS

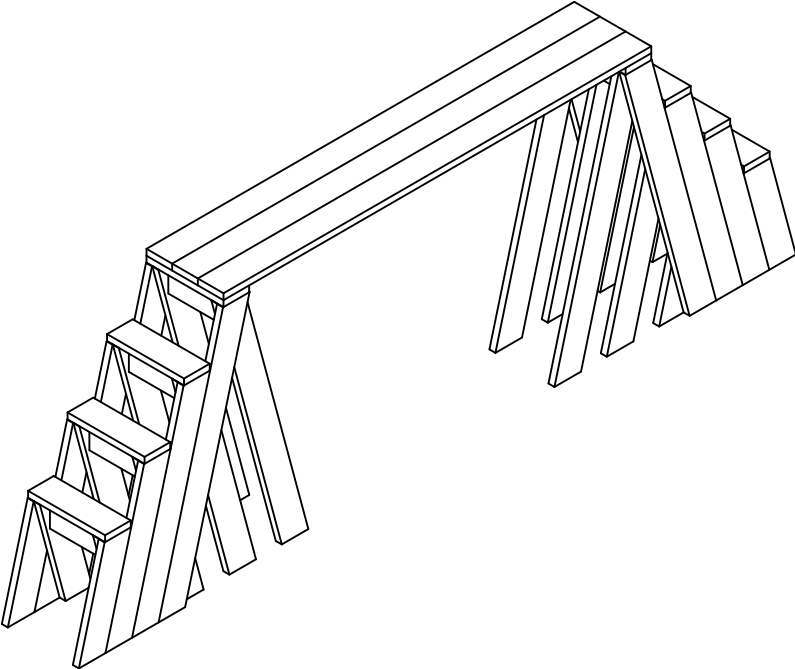


RETURNING TO NATURE
01 WALKING PATH



RETURNING TO NATURE

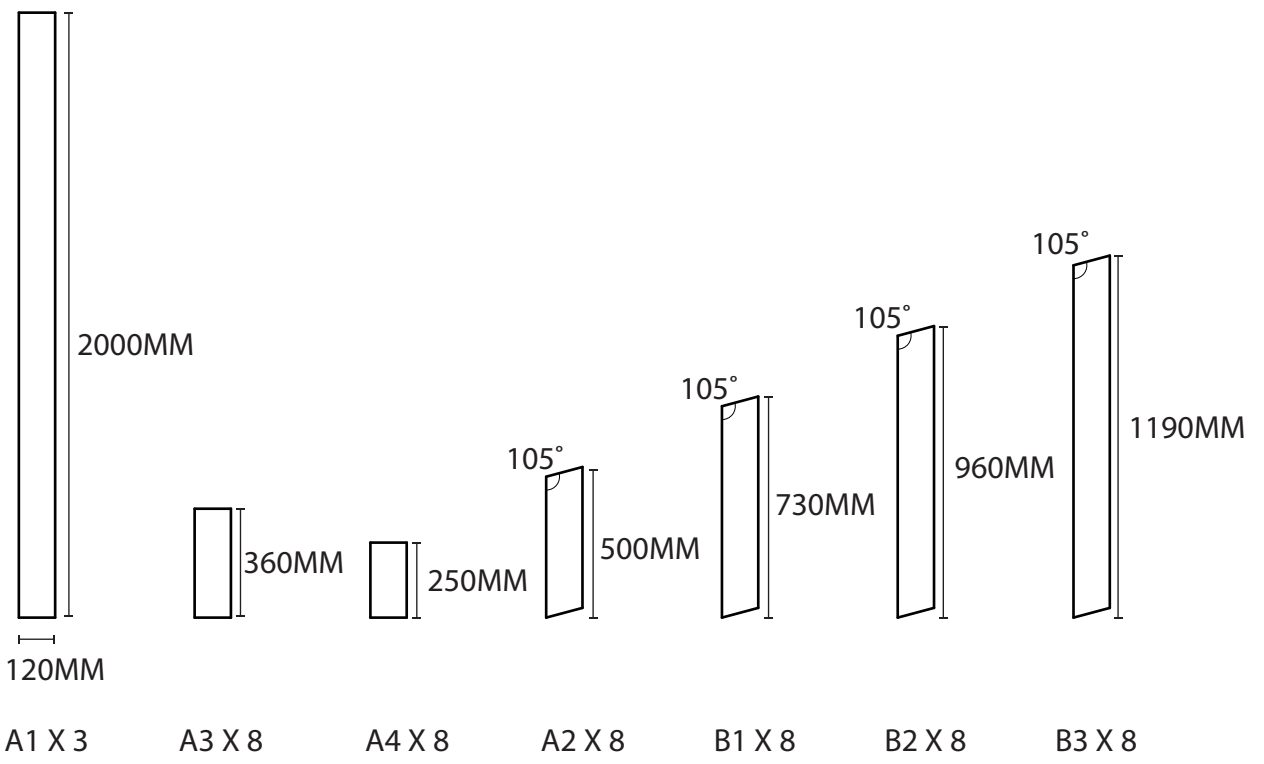
02 BRIDGE



RETURNING TO NATURE

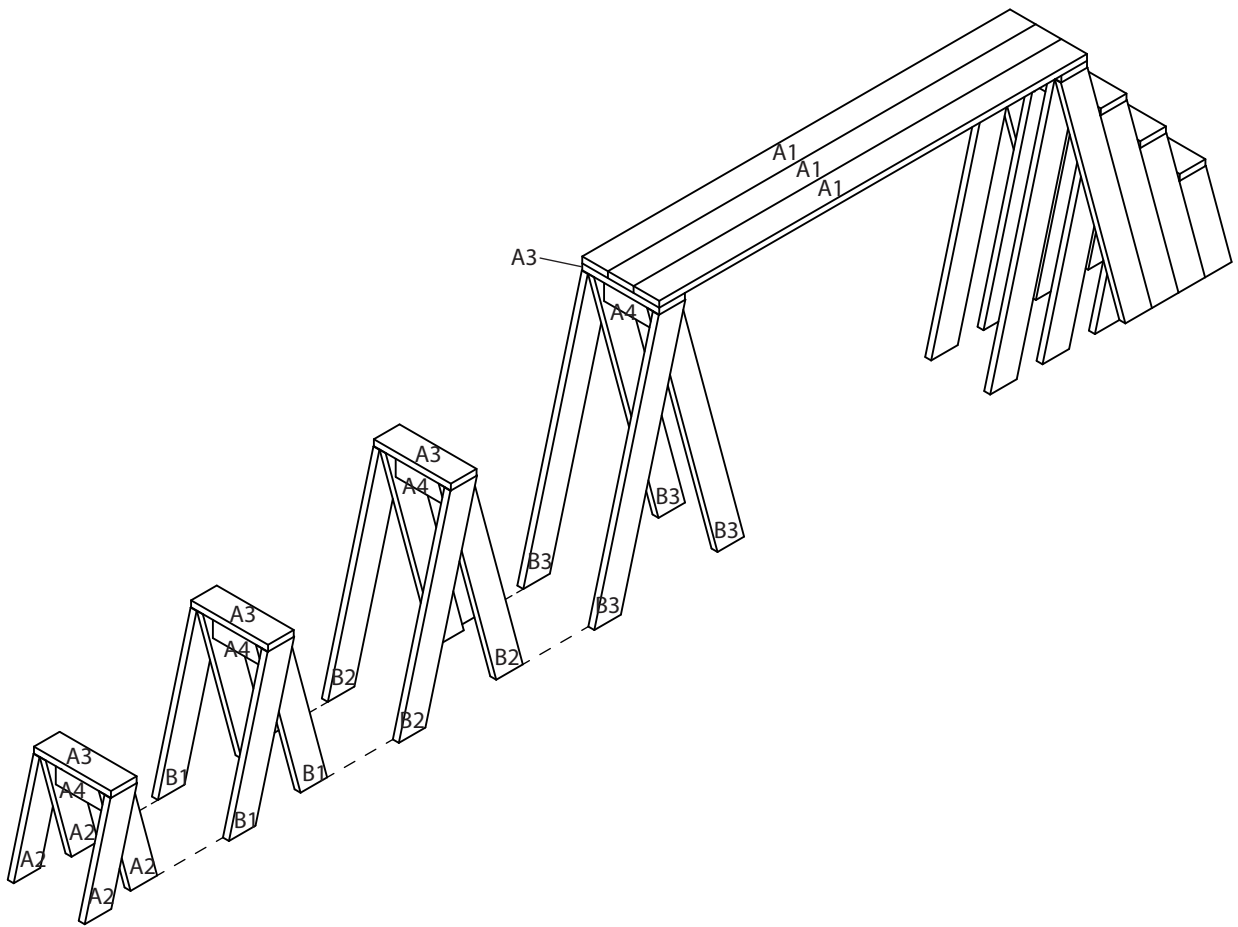
02 BRIDGE

TIMBER DIMENSIONS



RETURNING TO NATURE

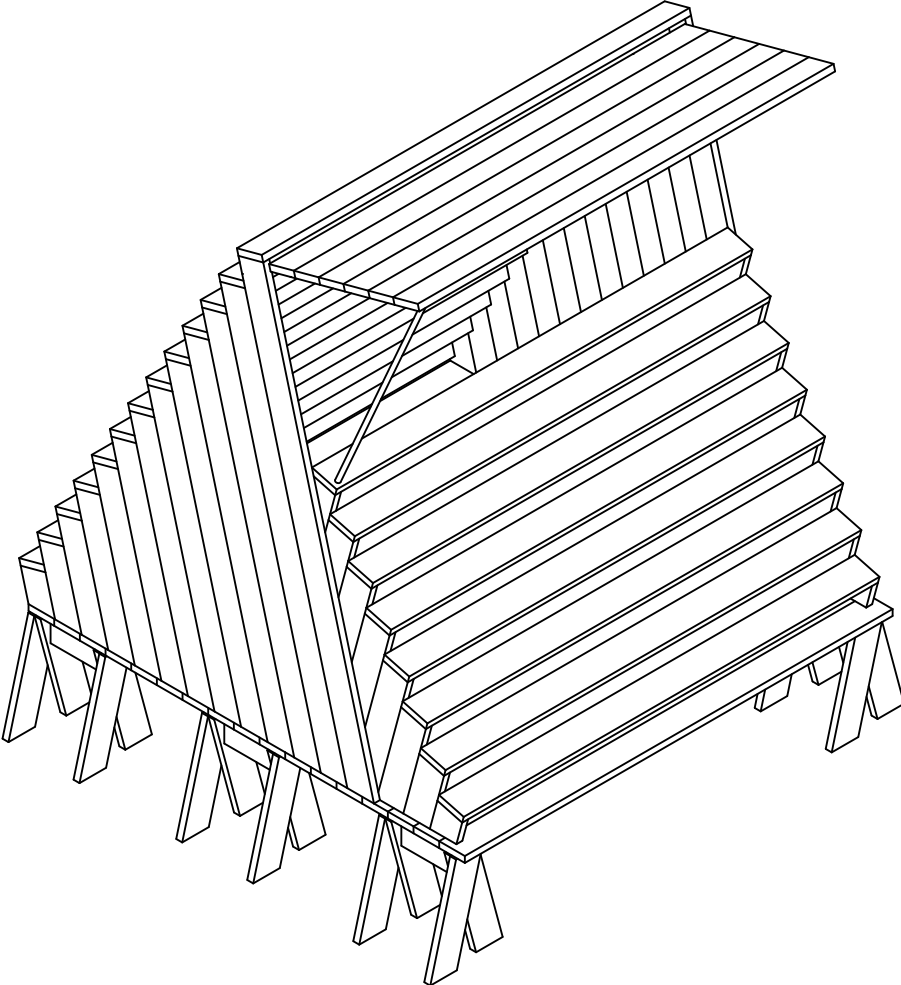
02 BRIDGE



FOLLOW THE SAME PRINCIPLE AS THE WALKING PATH BUT USE A VARIATION IN HIGHTS.
SCREW INDIVIDUAL STAIRS TOGHTHER FOR EXTRA STABILITY.

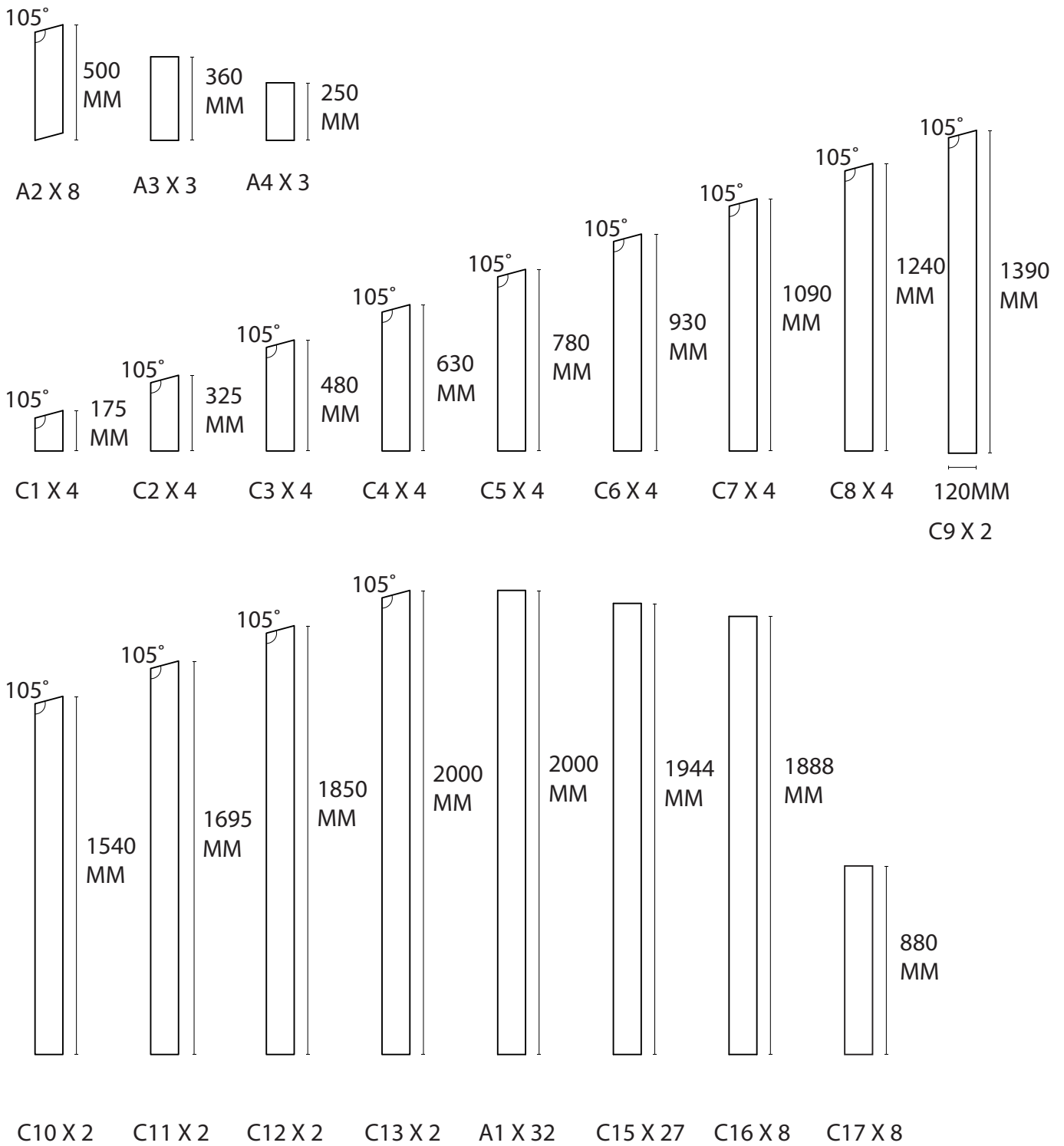
RETURNING TO NATURE

03 DWELLING



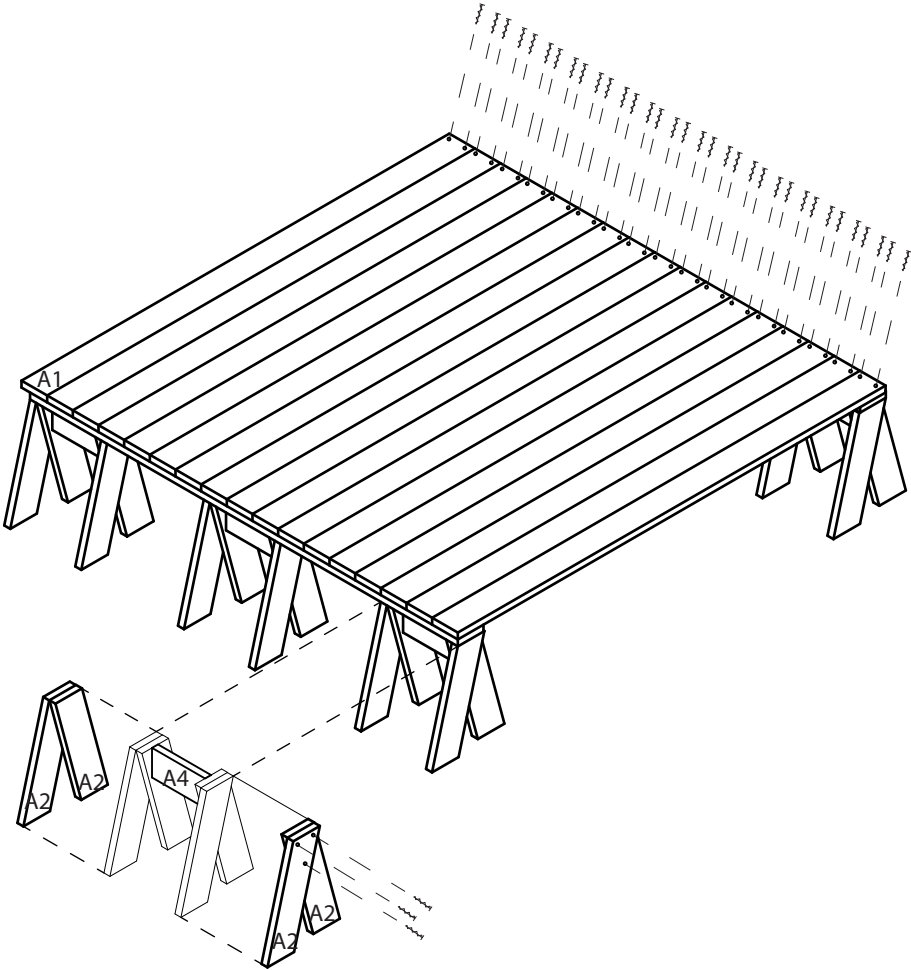
RETURNING TO NATURE

03 DWELLING TIMBER DIMENSIONS



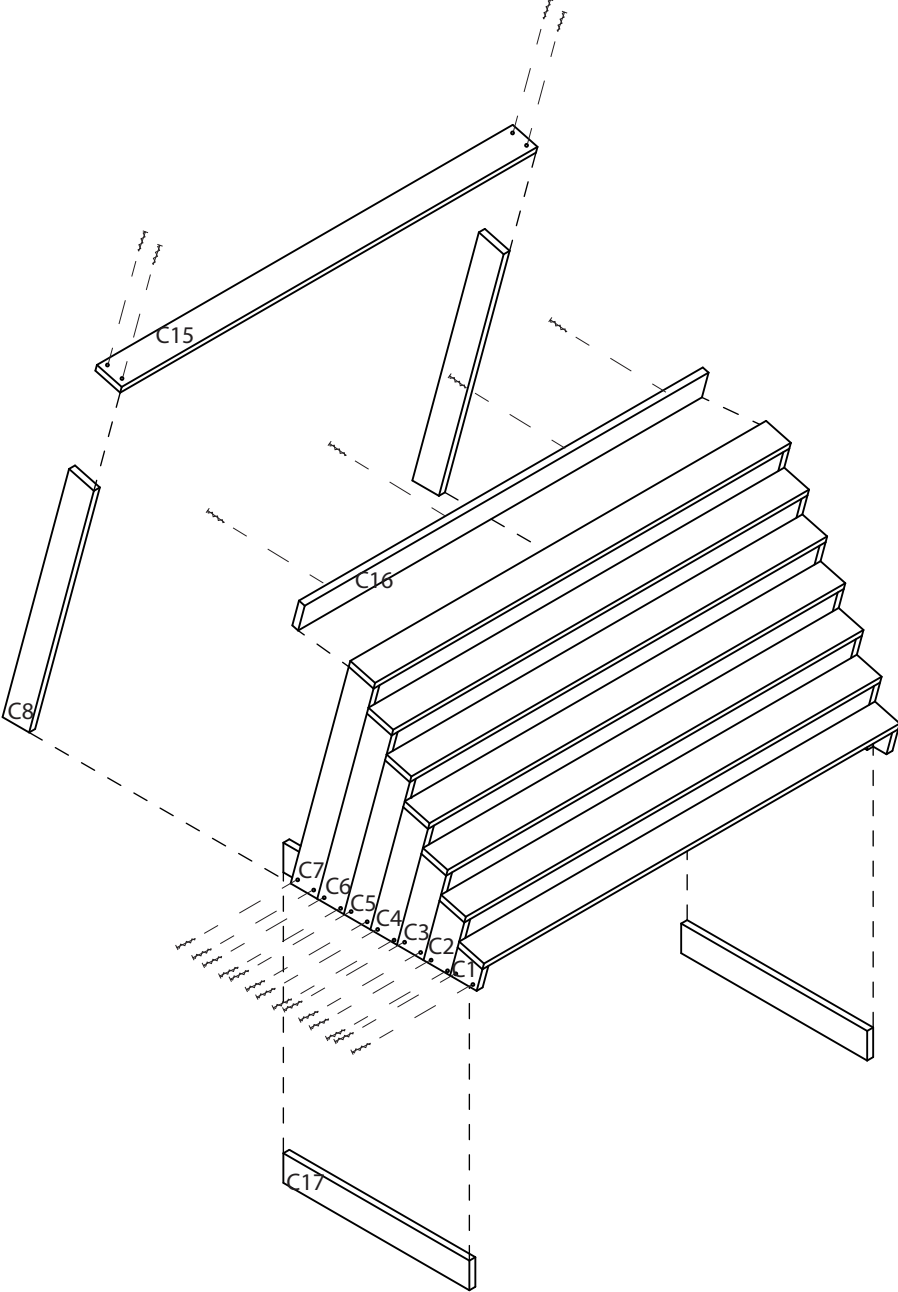
RETURNING TO NATURE

03 DWELLING
PART 01



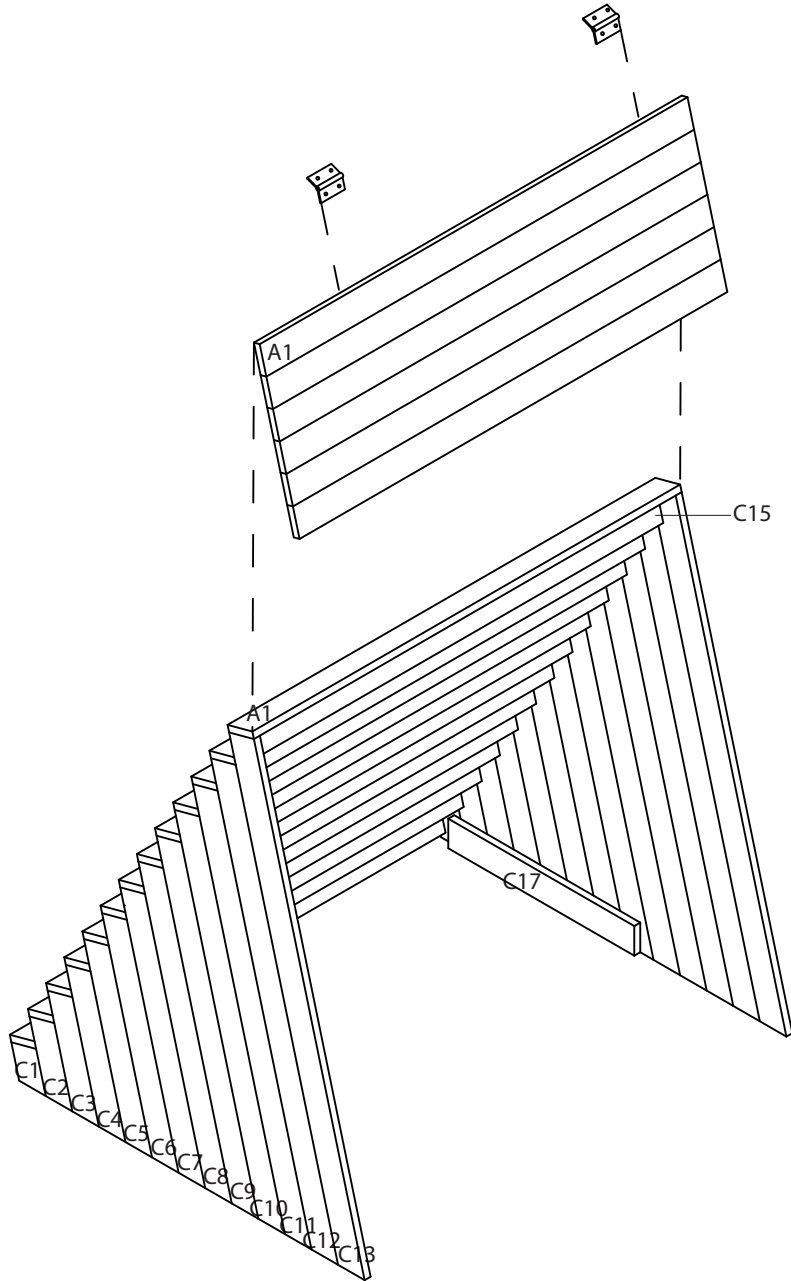
RETURNING TO NATURE

03 DWELLING
PART 02



RETURNING TO NATURE

03 DWELLING PART 03



RETURNING TO NATURE

03 DWELLING
ASSEMBLY

